

IKR 12 PU installation unit made of sheet steel



For installation in the trunking section of device installation trunking of the corresponding system size

- Installation in the trunking section of device installation trunking
- Acceptance of series-mounted devices with a total width of 12 part-units on hat rails
- Removable mounting plate for easy installation
- N and PE rail with screwless terminals
- Lockable, foldable transparent hood



Decentral protection

A concentration of protection devices in a central distributor is not always possible or practical. A good example is larger consumers in a commercial environment that are located far away from the nearest distributor and therefore require local access to switching and protection devices. Integrating the function of a distribution box into the trunking section of device installation trunking is a visually appealing solution. The IKR12 meets this requirement and can be integrated into all Rapid 80 device installation trunking systems. Thanks to the consistently implemented system design, it can be used in the Rapid 80 GK and GKH (PVC plastic and halogen-free PC/ABS), Rapid 80 GS (sheet steel) and Rapid 80 GA (aluminium) systems.

The minimum space requirement of a distribution box with 12 PUs determines

the system dimensions of the trunking. The IKR12 is available for system sizes 70 x 170 mm, 90 x 170 mm, 70 x 210 mm and 90 x 210mm. Optionally, a lock can be ordered for the foldable transparent cover, to ensure that only authorised persons have access to the switching

and protection devices. The IKR12 is made of sheet steel and is available powder-coated in the colour RAL9010 pure white.



IKR12RW70170

IKR 12 PU installation unit made of sheet steel



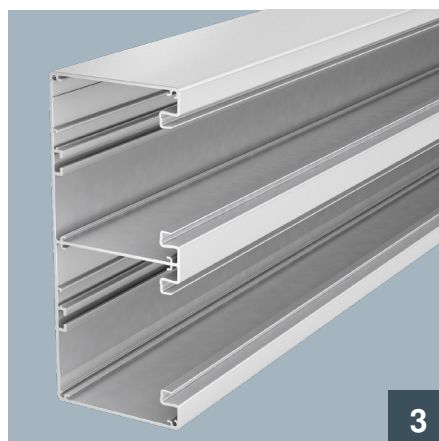
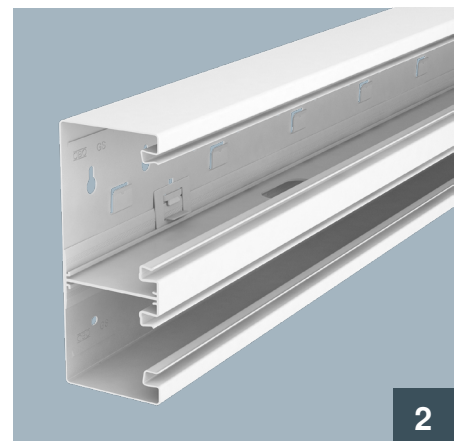
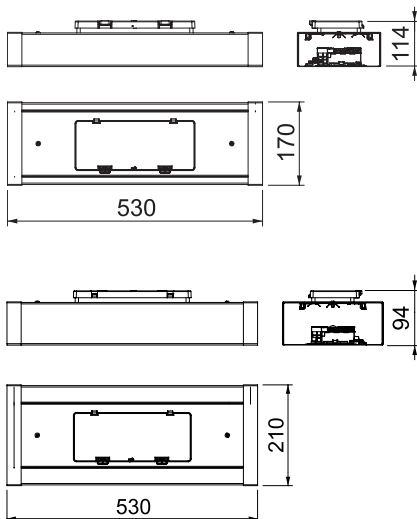
For installation in the trunking section of device installation trunking of the corresponding system size



Type	Dimension in mm	Pack unit	Weight kg/100 units	Item no.
IKR12RW70170	500 x 170 x 95	1	450.000	6288328
IKR12RW90170	500 x 170 x 115	1	470.000	6288330
IKR12RW70210	500 x 210 x 95	1	480.000	6288334
IKR12RW90210	500 x 210 x 115	1	500.000	6288336

P Powder-coated **St** Steel

Installation unit made of sheet steel for installation in the trunking section of device installation trunking of the corresponding system size. Acceptance of series-mounted devices with a total width of 12 PUs on hat rails. Incl. N and PE rails with screwless terminals. The foldable transparent hood can be locked.



- 1** PVC
- 2** Steel
- 3** Aluminium

Universal application

Joint covers are supplied as standard. This means that the IKR can be used in both symmetrical and asymmetrical trunking, as well as in trunking with one or two system openings.